

PROFESSIONAL PRODUCTS- PET NAIL GROOMERS

SERVICE NUMBER

129-01A/-01B

129-01E

129-01F

129-01H

129-01J

129-01K

129-10

To select the model desired, click on the highlighted service number.



PARTS LIST

PET NAIL GROOMER

**USE ONLY GENUINE OSTER PARTS -
USE OF WRONG PARTS MAY BE HAZARDOUS.**

PUBLISHED BY TECHNICAL SERVICES

NEW MODEL(S) ADDED → FIRST ISSUE 6/76, COLUMN #1
FIRST ISSUE 5/80, COLUMN #2

BB-390	REVISED 10/97
PART NO. REVISION	

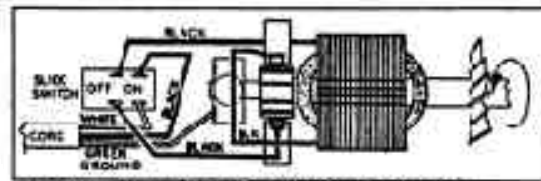
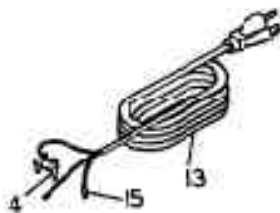
D-5



115 VOLTS, 50/60 HZ. AC 0.80 AMPS	X	X													
MODEL OR SERVICE NO. COLUMN	1	2	3	4	5	6	7	8	9	10	11	12			
SERVICE NOTES	M-6085														
COL. NO.	1 & 2														

INDEX NO.	PART NO.	★ WAS PART NO.	DESCRIPTION	BASIC PARTS	129-01-A	129-B	QUANTITY REQUIRED									
1	206578		CHUCK CAP	1												
2	206579		COLLET - 1/8"	1												
3	206580		STOP PIN W/ SPRING	1												
4	206581		BEARING RETAINER	2												
5	206592		WASHER - SET OF FIVE	1SET												
6	206582		ARMATURE ASSEMBLY W/FAN	1												
7	206583		FIELD ASSEMBLY	1	1											
7	211400		FIELD ASSEMBLY	1		1										
8	207801		HOUSING - UPPER & LOWER SET	1												
9	206593		BRUSH HOLDER	1PR												
10	206585		LEADWIRE W/BRUSH CLIP	1	1											
10A	211403		LEADWIRE W/BRUSH CLIP	1		1										
11	206591		FILED SPRING	1												
12	206594		SCREW - SET OF FIVE	1SET												
13	206586		CORD & PLUG ASSEMBLY - BLACK	1												
14	206587		SWITCH - SLIDE	1												
15	212642	72920	TERMINAL - PUSH-ON	4												
16	55160	206595	BEARING - SET OF TWO	1SET												
17	211402		BRUSH & SPRING ASSEMBLY	1PR		1PR										
18	206588		HANGER	1												
19	206589		THRUST PLATE	1												
20	207800		OIL WICK - FELT	1PR												
24	206590		RETAINING RING	1												
25	206585		BRUSH CLIP (CLIP OFF LEADWIRE)	1	1											
25A	211403		BRUSH CLIP (CLIP OFF LEADWIRE)	1		1										
ACCESSORY ITEMS																
28	207350		WRENCH	1												
29	55208	207352	GRINDING DISC	1												
30	55207	207351	DRESSING TONE	1												

NOTE: NUMBERS SHOWN ON DRAWINGS ARE INDEX NUMBERS ONLY. ORDER PARTS BY CORRECT PART NUMBER.



MOTOR TO RUN IN COUNTERCLOCKWISE DIRECTION VIEWED FROM FAN END.

ACCESSORY ITEMS



★ PARTS ARE INTERCHANGEABLE, USE UP EXISTING STOCK.

MANUAL: PROFESSIONAL PRODUCTS
SECTION: NAIL GROOMER

CONTINUED ON REVERSE SIDE



150 CADILLAC LANE
McMINNVILLE, TN 37110



PARTS LIST

PET NAIL GROOMER

**USE ONLY GENUINE OSTER PARTS -
USE OF WRONG PARTS MAY BE HAZARDOUS.**

PUBLISHED BY TECHNICAL SERVICES

BB-682 REVISED 10/97

PART NO. REVISION

NEW MODEL(S) ADDED → FIRST ISSUE 5/84, COLUMN #1

D-6



BLACK																				
30,000 RPM, 0.80 A																				
115 VOLTS, 50/60 HZ. AC 0.80 AMPS																				
MODEL OR SERVICE NO. COLUMN	1	2	3	4	5	6	7	8	9	10	11	12								
INSTRUCTIONS	COL. NO.																			
216044	1																			

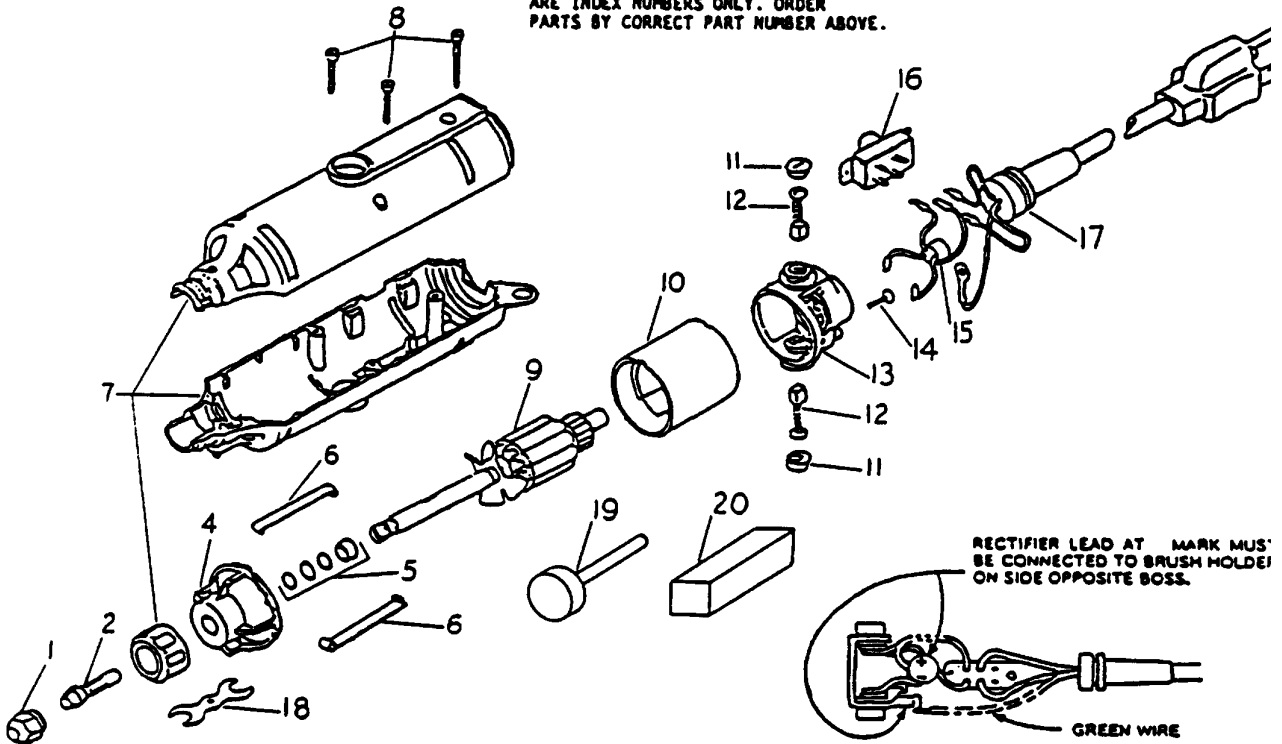
INDEX NO.	PART NO.	★ WAS PART NO.	DESCRIPTION
1	206578		CHUCK CAP
2	206579		COLLET
3	216831		HOUSING CAP SCREW
4	216832		FRONT BEARING BRACKET
5	216833		THRUST WASHER ASSORTMENT
6	216834		BEARING BRACKET CLIPS (PR.)
7	216835		HOUSING
8	216836		HOUSING SCREWS - 1 LONG, 2 SHORT
9	55990	216837	ARMATURE W/FAN
10	216838		FIELD W/MAGNET
11	216839		BRUSH CAP (PR.)
12	55993	216840	BRUSHES W/SHUNTS (PR.)
13	216841		REAR BEARING BRACKET
14	216842		GROUND SCREW
15	55995	216843	RECTIFIER
16	206587		SWITCH
17	216845		CORD
18	207350		WRENCH
19	55208	207352	GRINDING DISC
20	55207	207351	DRESSING STONE

BASIC PARTS

129-01E

QUANTITY REQUIRED

CAUTION: NUMBERS SHOWN ON DRAWING ARE INDEX NUMBERS ONLY. ORDER PARTS BY CORRECT PART NUMBER ABOVE.



★ PARTS ARE INTERCHANGEABLE, USE UP EXISTING STOCK.

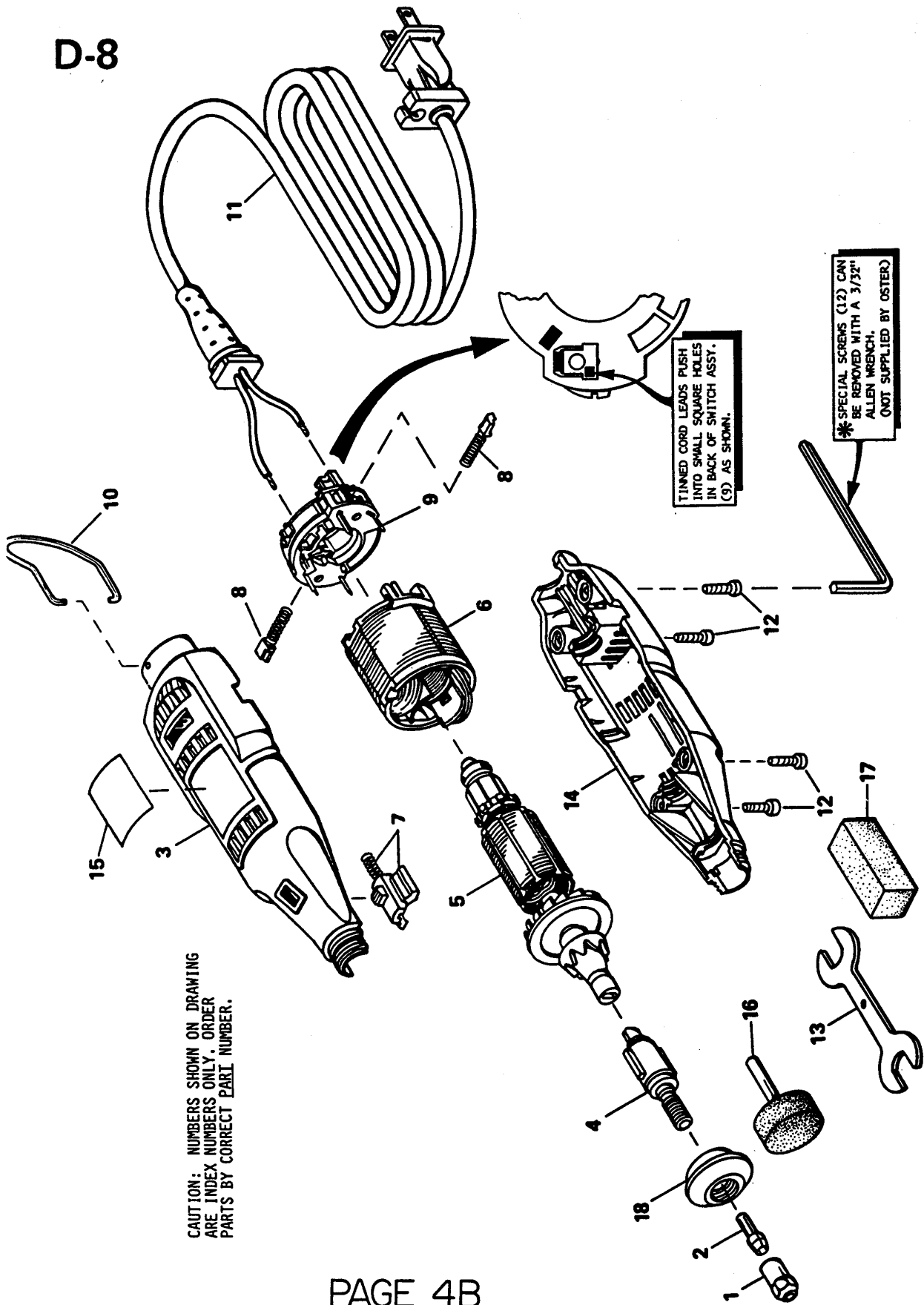
MANUAL: PROFESSIONAL PRODUCTS
SECTION: NAIL GROOMER

CONTINUED ON REVERSE SIDE

PAGE 3A



150 CADILLAC LANE
McMINNVILLE, TN 37110



CAUTION: NUMBERS SHOWN ON DRAWING ARE INDEX NUMBERS ONLY. ORDER PARTS BY CORRECT PART NUMBER.



PARTS LIST

PET NAIL GROOMER

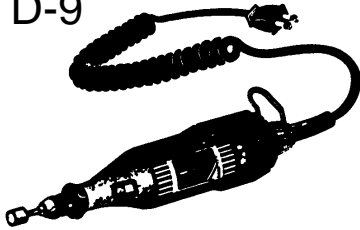
**USE ONLY GENUINE OSTER PARTS -
USE OF WRONG PARTS MAY BE HAZARDOUS.**

PUBLISHED BY TECHNICAL SERVICES

M-8057 REVISED 10/97

PART NO. REVISION

D-9



NEW MODEL(S) ADDED → FIRST ISSUE 8/88, COLUMN #1

2 SPEED	X													
120 VOLTS, 50-60 HZ. AC ONLY	X													
MODEL OR SERVICE NO. COLUMN	→ 1	2	3	4	5	6	7	8	9	10	11	12		
INSTRUCTIONS	COL. NO.													
219650	1													

INDEX NO.	PART NO.	★ WAS PART NO.	DESCRIPTION
1	58263	219940	CHUCK CAP
2	58264	219941	COLLET - 1/8"
3	220390		HOUSING - UPPER
4	220391		SHAFT ASSEMBLY - OUTPUT
5	220392		ARMATURE
6	58268	219946	FIELD ASSEMBLY
7	220393		COLLET LOCK & SPRING
8	58270	219948	BRUSH & SPRING ASSEMBLY
9	219949		SWITCH ASSEMBLY
10	219950		HANGER
11	58272	219951	CORD
12	219952		SCREW - HOUSING - * SEE DRAWING PAGE 4C
13	58302	220220	WRENCH
14	220394		HOUSING - LOWER
15	220818		NAMEPLATE
16	55208	207352	GRINDING DISC
17	55207	207351	DRESSING STONE
18	58275	219954	CAP - HOUSING
19	58322	220395	COUPLING
20	220396		SCREW - HOUSING

BASIC PARTS

129-01-H

QUANTITY REQUIRED

1														
1														
1														
1														
1														
1PR														
1														
1														
4														
1														
1														
1														
1														
2														

MAINTENANCE OF REPLACEABLE BRUSHES

The brushes should be inspected frequently when tools are used continuously. If your tool runs sporadically, loses power, makes unusual noises or runs at a reduced speed, check the brushes. To continue using the tool in this condition will permanently damage your tool.

CAUTION: Do not force the brush holder to rotate once you feel it stop. To do so will damage the tool.

If the brush is less than 1/8" long and the end surface of the brush that contacts the commutator is rough and/or pitted, they should be replaced. Check both brushes. Usually the brushes will not wear out simultaneously. If one brush is worn out replace both brushes. Insert the spring portion of the brush spring assembly into the brush holder opening first. Make sure the brushes are installed as illustrated. The curved surface of the brush must match the curvature of the commutator.

After replacing brushes the tool should be run at no-load; place it on a clean surface and run it freely for 5 minutes before loading (or using) the tool. This will allow the brushes to "seat" properly and will give you more hours of life from each set of brushes. This will also extend the total life of your tool since the commutator surface will "wear" longer.

WARNING: Be aware that the brush can fly out of tool toward eyes when opening the brush holder lock.

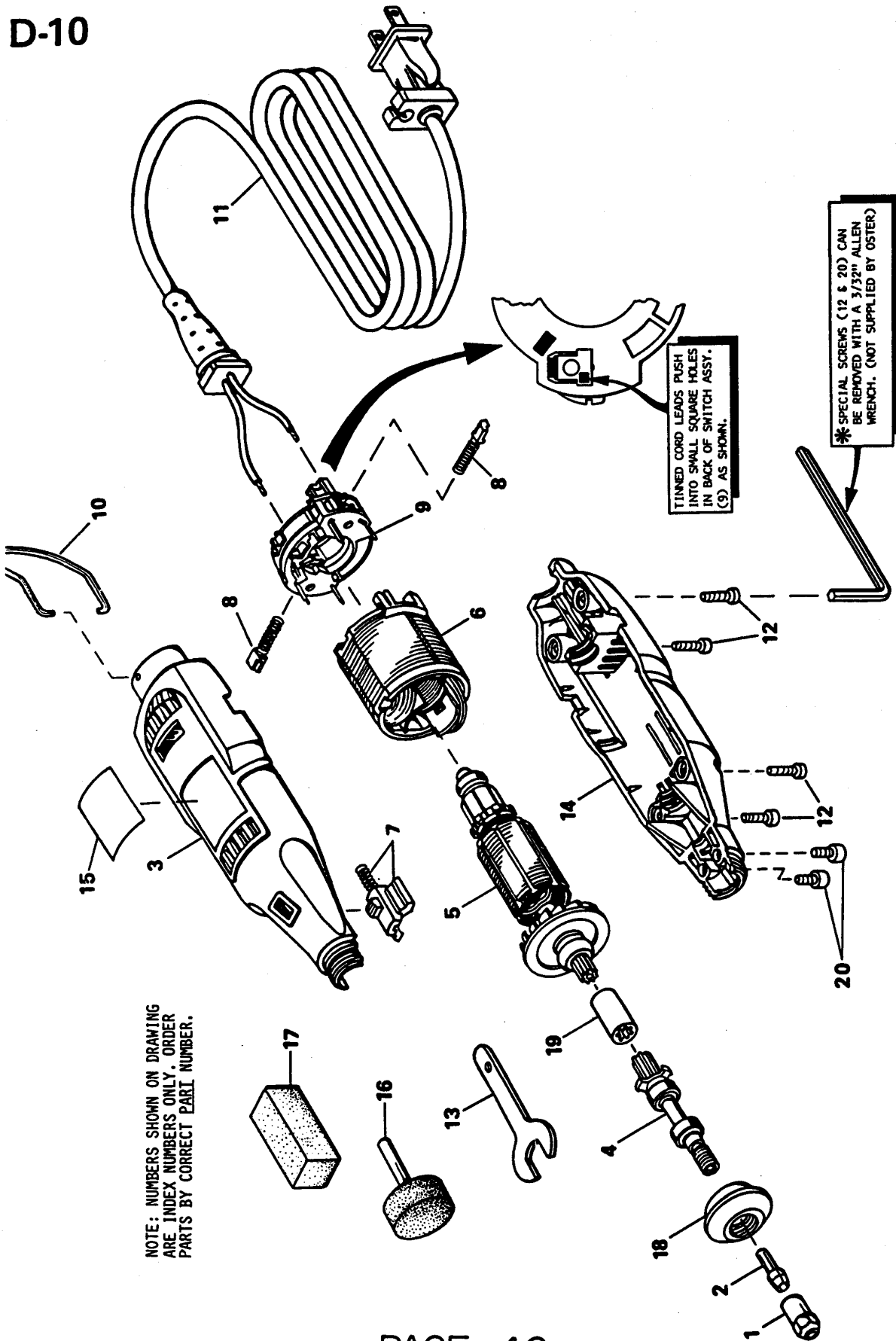
With the cord unplugged, use thumb pressure or small screwdriver to depress the brush holder lock and rotate the holder (right-side down and left-side up;) slowly to prevent the brush and spring from ejecting out of the holder. While rotating the holder slowly, you will begin to see the brush. Place

★ PARTS ARE INTERCHANGEABLE, USE UP EXISTING STOCK.

MANUAL: PROFESSIONAL PRODUCTS
SECTION: ALL OTHERS

CONTINUED ON REVERSE SIDE
PAGE 3C

Oster
Professional Products
150 CADILLAC LANE
McMINNVILLE, TN 37110

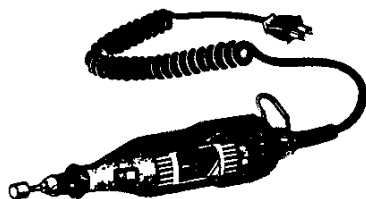


NOTE: NUMBERS SHOWN ON DRAWING ARE INDEX NUMBERS ONLY. ORDER PARTS BY CORRECT PART NUMBER.



PARTS LIST

PET NAIL GROOMER



INSTRUCTIONS	COL. NO.
600498	1

**USE ONLY GENUINE OSTER PARTS -
USE OF WRONG PARTS MAY BE HAZARDOUS.**

PUBLISHED BY TECHNICAL SERVICES

PP-114	REV. 10/97
PART NO. REVISION	

NEW MODEL(S) ADDED → FIRST ISSUE 4/93, COLUMN #1

2 SPEED	X																		
120 VOLTS, 50-60 HZ., AC ONLY	X																		
MODEL OR SERVICE NO. COLUMN →	1	2	3	4	5	6	7	8	9	10	11	12							

**SEE PRICE & CROSS REF.
LIST FOR PRICES**

INDEX NO.	PART NO.	★ WAS PART NO.	DESCRIPTION
1	219952		SCREW - HOUSING - PACKAGE OF 4
2	58263	219940	CHUCK CAP
3	58264	219941	1/8" COLLET
4	59184	600758	HOUSING CAP
5	600759		ARMATURE & BEARING ASSEMBLY
6	59189	600760	FIELD ASSEMBLY
7	600761		COLLET LOCK & SPRING
8	600762		HOUSING SET - UPPER & LOWER
9	219950		HANGER
10	221319		CAP - BRUSH - PACKAGE OF 2
11	58477	221316	BRUSH & SPRING ASSEMBLY
12	58478	221317	SWITCH ASSEMBLY
13	58272	219951	CORD
14	58302	220220	WRENCH
15	600286		NAMEPLATE
16	600287		DATA INSERT

BASIC PARTS

129-01-K

QUANTITY REQUIRED

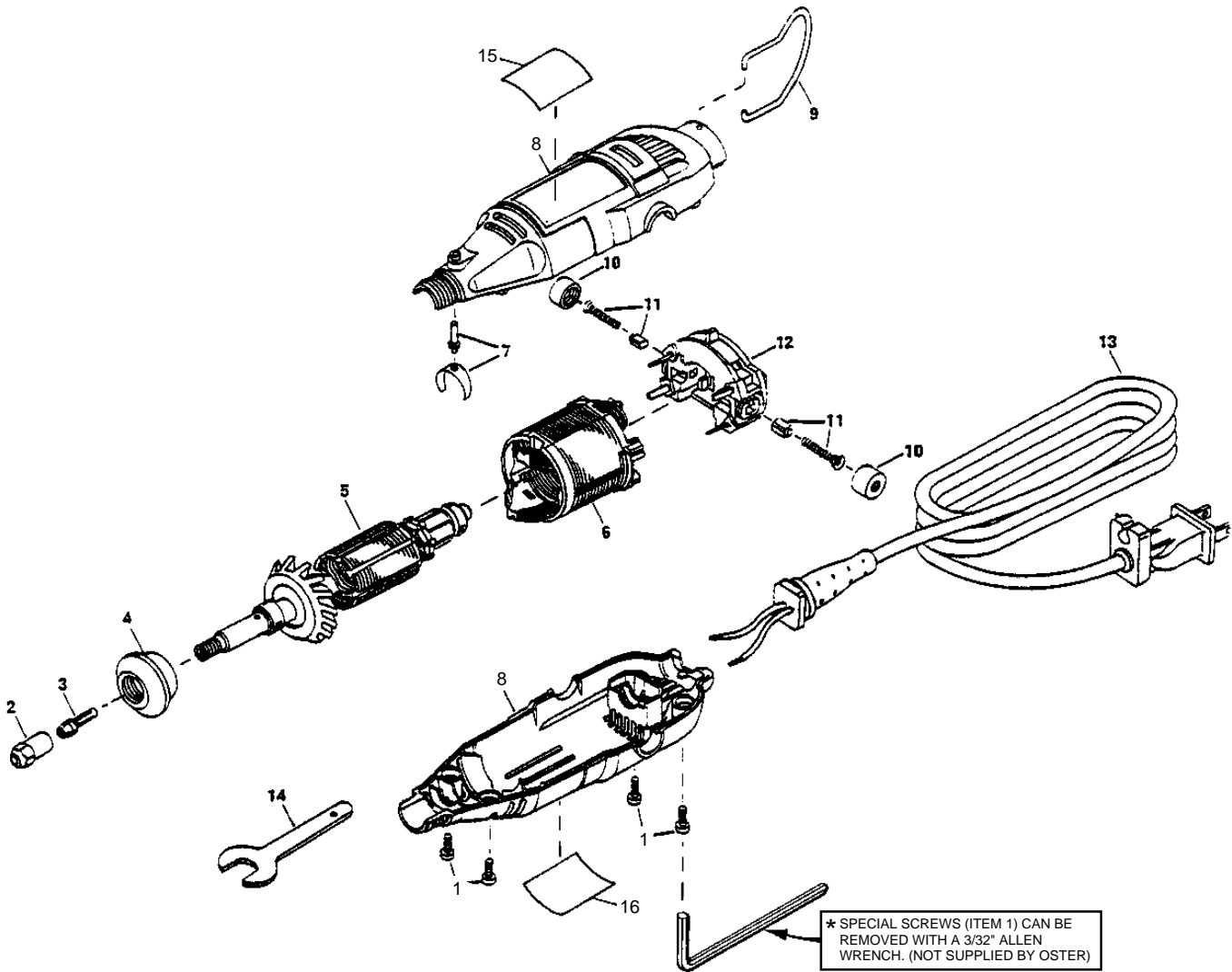
1PKG																			
1																			
1																			
1																			
1																			
1																			
1PKG																			
1																			
1																			
1																			
1																			
1																			
1																			

★ PARTS ARE INTERCHANGEABLE, USE UP EXISTING STOCK.

MANUAL: PROFESSIONAL PRODUCTS
SECTION: ALL OTHERS

CONTINUED ON REVERSE SIDE
PAGE 3E

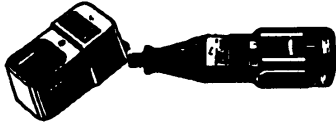






PARTS LIST

RECHARGEABLE
PET NAIL GROOMER



INSTRUCTIONS	COL. NO.
600498	1

INDEX NO.	PART NO.	★ WAS PART NO.	DESCRIPTION
1	600763		COLLET NUT
2	58264	219941	1/8" COLLET
3	600764		SHAFT LOCK ASSEMBLY
4	600765		MOTOR AND SHAFT ASSEMBLY
5	600766		SCREW - PACKAGE OF 2
6	600767		HOUSING SET - UPPER & LOWER
7	600728		CHARGER (MODEL NO. 6131-01)
8	59163	600727	BATTERY PACK (MODEL NO. 6130-01)
9	600768		SWITCH ASSEMBLY
10	600737		NAMEPLATE
11	600738		DATA INSERT

**USE ONLY GENUINE OSTER PARTS -
USE OF WRONG PARTS MAY BE HAZARDOUS.**

PUBLISHED BY TECHNICAL SERVICES

NEW MODEL(S) ADDED → FIRST ISSUE 4/93, COLUMN #1

PP-115	REV. 10/97
PART NO. REVISION	

2 SPEED	X																		
4.8 VOLTS DC ONLY	X																		
MODEL OR SERVICE NO. COLUMN →	1	2	3	4	5	6	7	8	9	10	11	12							

**SEE PRICE & CROSS REF.
LIST FOR PRICES**

BASIC PARTS

129-10

QUANTITY REQUIRED

1																			
1																			
1																			
1																			
1																			
1PKG																			
1																			
1																			
1																			
1																			

★ PARTS ARE INTERCHANGEABLE, USE UP EXISTING STOCK.

MANUAL: PROFESSIONAL PRODUCTS
SECTION: ALL OTHERS

CONTINUED ON REVERSE SIDE

* SPECIAL SCREWS (ITEM 5) CAN BE REMOVED WITH A 3/32" ALLEN WRENCH. (NOT SUPPLIED BY OSTER)

