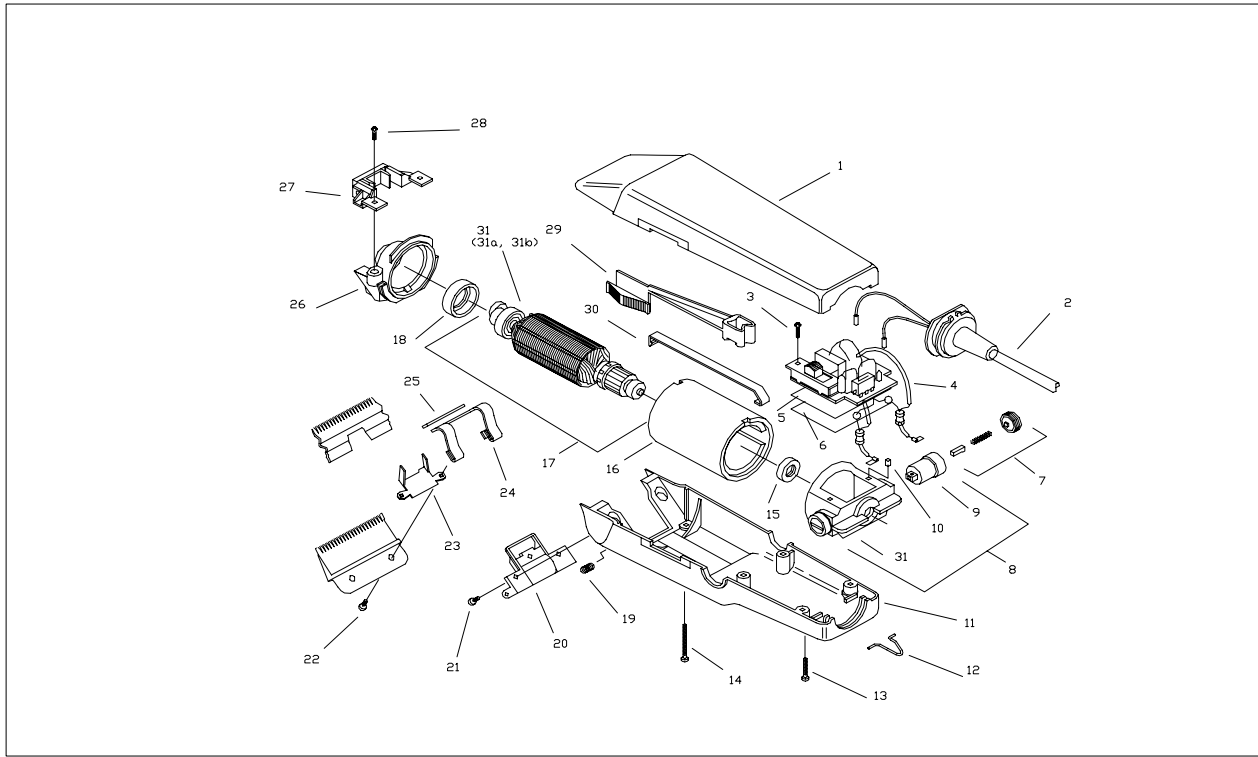


# andis®

## MODEL AG/BG CLIPPER 120 VOLT



ITEM NO.	PART NO.	DESCRIPTION	QTY. REQ'D
1		Upper Cover	
1a	27256	Upper Cover (Model AG)	1
1b	27259	Upper Cover (Model BG)	1
1c	22254	Upper Cover (Model BG Trendsetter)	1
2		Cord Set	
2a	21790	Cord Set (Model AG)	1
2b	21164	Cord Set (Model BG)	1
2c	63005	Cord Set (Model AG 16 ft)	1
3	65828	Screw	2
4	21366	Speed Control	1
5	21814	Insulation Sheet (Mylar)	1
6	21758	Insulation Sheet Copaco	1
7	21812	Brush Repair Kit	1
8	21766	Brush Housing Assembly	1
9	21011	Brush Holder	2
10	21021	Set Screw	2
11		Lower Housing	
11a	27252	Lower Housing (Model AG)	1
11b	21869	Lower Housing (Model BG UL/CSA)	1
11c	27253	Lower Housing (Model AG CSA)	1
12	25018	Hanger Bail	1
13	21050	Rear Housing Screw	2
14	21048	Front Housing Screw	2
15	21067	Bearing Mounting Ring	1
16	27352	Field Assembly	1

ITEM NO.	PART NO.	DESCRIPTION	QTY. REQ'D
17		Armature Assembly	
17a	27072	Armature Assy (w/ metal cam)	1
17b	21977	Armature Assy (w/ plastic cam)	1
18	21068	Bearing Mounting Ring	1
19	21014	Blade Retaining Spring	1
20		Hinge Assembly	
20a	S27164	Hinge Assembly (Model AG)	1
20b	S21743	Hinge Assembly (Mdl BG & Oster 76 & 89 Blade Compatibility)	1
20c	S27091	Hinge Assembly (Mdl BG and Oster 10, 22, 111 Blade Compatibility)	1
21	27861	Blade Hinge Screw	1
22	64139	Blade Screw	1
23	64003	Blade Bracket	1
24	64013	Tension Spring	1
25	64027	Blade Guide	1
26	27181	Front Motor Frame Assembly	1
27	22319	Blade Drive Assembly	1
28	15766	Blade Drive Screw	2
29	21018	Switch Actuating Arm	1
30	27198	Motor Frame Retaining Clip	2
31		Cam Assembly	
31A	27251	Cam Assembly - Metal	1
31B	27854	Cam Assembly - Plastic	1

### IMPORTANT INFORMATION

When ordering repair parts, include part number, part name and model of trimmer. For best performance, trimmer blades should be CLEANED and OILED with Andis Clipper Oil before and after use. If repair is necessary, return to any Andis Authorized Repair Service Station, or to Andis Company, 1800 Renaissance Blvd., Sturtevant, Wisconsin, 53177 U.S.A.. Pack carefully, mail either Insured Parcel Post, or U.P.S., attach a letter to outside of package explaining difficulty.

Form 12184 Rev-D.xls

SERVICE CENTER